



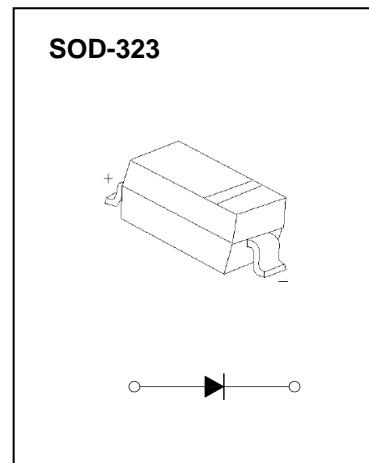
SOD-323 Plastic-Encapsulate Diodes

BAP50-03 GENERAL PURPOSE PIN DIODE

FEATURES

- Low diode capacitance
- Low diode forward resistance

MARKING: A81



Maximum Ratings and Electrical Characteristics, Single Diode @Ta=25°C

Parameter	Symbol	Limit	Unit
Continuous Reverse Voltage	V_R	50	V
Continuous Forward Current	I_F	50	mA
Power Dissipation (Ta=90°C)	P_d	200	mW
Thermal Resistance Junction to Ambient	$R_{\theta JA}$	85	°C/W
Junction Temperature	T_j	150	°C
Storage Temperature	T_{STG}	-55~+150	°C

Electrical Ratings @Ta=25°C

Parameter	Symbol	Min	Typ	Max	Unit	Conditions
Continuous reverse voltage	V_R	50			V	$I_R=10\mu A$
Forward voltage	V_F			1.1	V	$I_F=50mA$
Reverse current	I_R			100	nA	$V_R=50V$
Diode capacitance	C_{d1A}			0.91	pF	$V_R=0V, f=1MHz$
	C_{d1B}			1.11	pF	$V_R=0V, f=1MHz$
	C_{d2}			0.55	pF	$V_R=1V, f=1MHz$
	C_{d3}			0.35	pF	$V_R=5V, f=1MHz$
Diode forward resistance	r_D			40	Ω	$I_F=0.5mA, f=100MHz; note1$
	r_D			25	Ω	$I_F=1mA, f=100MHz; note1$
	r_D			5	Ω	$I_F=10mA, f=100MHz; note1$

Note 1. Guaranteed on AQL basis: inspection level S4,AQL 1.0.

Typical Characteristics

BAP50-03

